

— Est —  
1962

**IAN DICKIE**

# high pressure water drain & pipe cleaning



## **Mega / Giga Jet**

Visit [www.iandickie.co.za](http://www.iandickie.co.za) to view  
our full range of products

Measuring Success by Customer Satisfaction



# high pressure water drain & pipe cleaning

## ▶▶ IAN DICKIE MEGA / GIGA JET

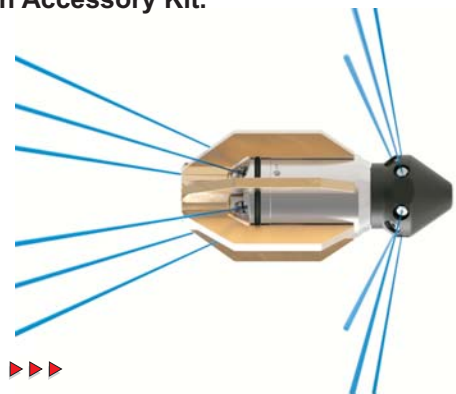
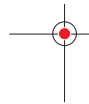
The Ian Dickie range of Mid Block Jets are highly effective for clearing pipes from 75mm - 400 mm with a choice of electric start, diesel or petrol engines.

The Mega Jet is able to clear lines from 75mm x 300mm and is supplied with 100m of hose as standard, while the larger capacity Giga Jet effectively clean lines from 75mm – 400m and comes with 120m of hose. These units are mounted on high speed trailers and are supplied with a 500 Lt supply tank and hydraulic hose reel. Used in combination with our range of rotating nozzles, these machines are used to great effect to clear drains and pipes of grease, oils, fat, sand and roots in sewers, factories, harbours, abattoirs, farms etc.

\*Clearing of 40mm and 50mm lines is achievable with our optional Drain Accessory Kit.



### Mega / Giga Jet



#### Accessories:

We carry an extensive range of high quality retrojet, rotating and pulsating cutter nozzles to effectively clear roots, calcium build-up and concrete blockages.



### Specifications:

Model	Mega Jet	Giga Jet	
Flow	41L/min	70L/min	
Pressure	150 Bar	130 Bar	
Power	15 kW	20 kW	

Cape Town  
TEL:(021) 534-3431

Johannesburg  
TEL:(011) 609-4130

Port Elizabeth  
TEL:(041) 451-1577

Durban  
TEL:(031) 700-5636

Botswana  
TEL:(+267) 391-4491

WITH OUR POLICY OF PRODUCT IMPROVEMENT WE RESERVE THE RIGHT TO ALTER SPECIFICATIONS

